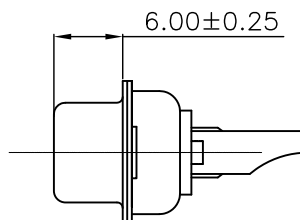
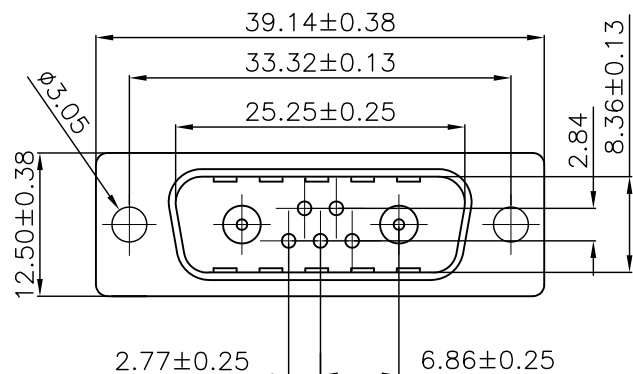




## REVISIONS

LTR	DESCRIPTION	DATE	DWN	APVD
A	RELEASED	01Jan16	AW	WK

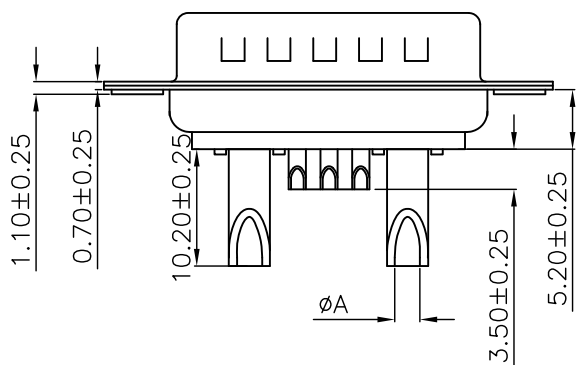


## NOTE:

- MATERIALS AND FINISHED  
INSULATOR : PBT+30% GF UL 94V-0,  
SHELL : STEEL, NI OR SN FINISHED  
CONTACT MATERIAL : BRASS, SELEVITE GOLD FINISHED
- ELECTRICAL CHARACTERISTICS  
CURRENT RATING : SEE TABLE 1  
VOLTAGE RATING: 300 V DC  
CONTACT RESISTANCE : 20 MILLIOHMS MAX.  
DIELECTRIC WITHSTANDING VOLTAGE : 500 V AC MIN.  
INSULATION RESISTANCE : 1000 MEGAOHMS MIN.
- ENVIRONMENTAL  
OPERATING TEMPERATURE: -55°C ~ +85°C  
STORAGE TEMPERATURE: -55°C ~ +105°C
- HOW TO ORDER:

TABLE 1

YL013-001-004	40 AMPS	φ4.8
YL013-001-003	30 AMPS	φ3.4
YL013-001-002	20 AMPS	φ2.6
YL013-001-001	10 AMPS	φ1.75
PART NO.	Current Rating	φA
		Dimension



THIS DRAWING IS A CONTROLLED DOCUMENT.		DWN A. WU	01Jan2016	东莞市宇亮电子有限公司 DONG GUAN YU LIANG ELECTRONICS CO., LTD	
DIMENSIONS: mm		CHEK S. CHIEN	01Jan2016		
TOLERANCES UNLESS OTHERWISE SPECIFIED:		APVD Abel	01Jan2016	NAME 高电流7W2公头车针焊线式铆合光孔	
 THIRD ANGLE PROJECTION		PRODUCT SPEC —	—	SIZE A4	DRAWING No. Y=YL013-001
0 PLC ± 0.50 1 PLC ± 0.30 2 PLC ± 0.20 3 PLC ± 0.15 4 PLC ± — ANGLES ± 3°		WEIGHT —	—	CUSTOMER DRAWING	
			SCALE 1 : 1	SHEET 1 of 1	