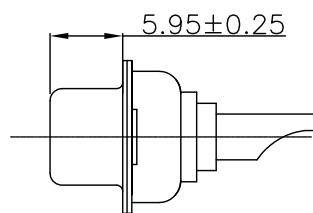
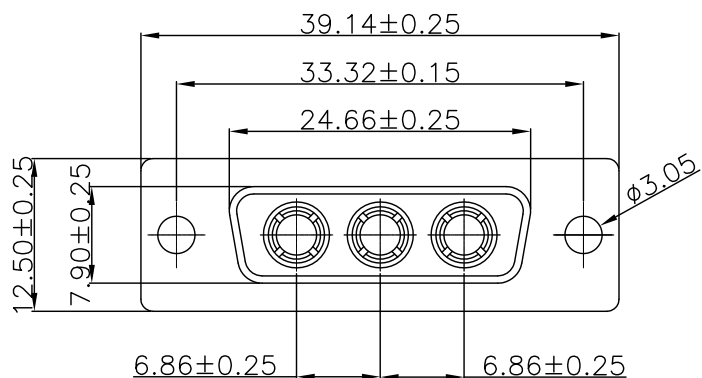


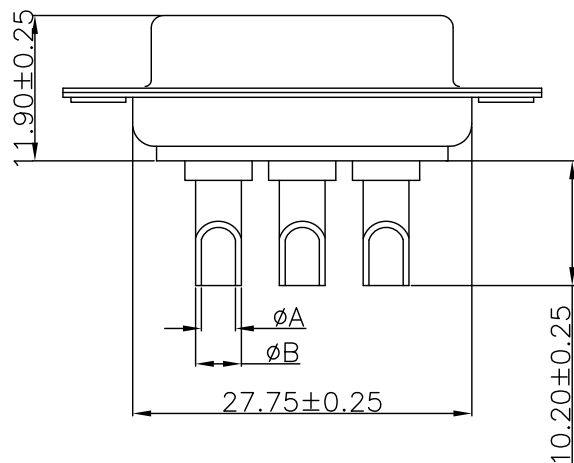


REVISIONS				
LTR	DESCRIPTION	DATE	DWN	APVD
A	RELEASED	01Jan16	AW	WK



## NOTE:

- MATERIALS AND FINISHED  
INSULATOR : PBT+30% GF UL 94V-0,  
SHELL : STEEL, NI OR SN FINISHED  
CONTACT MATERIAL : BRASS, SELEVITE GOLD FINISHED
- ELECTRICAL CHARACTERISTICS  
VOLTAGE RATING: 300 V DC  
CONTACT RESISTANCE :20 MILLIOHMS MAX.  
DIELECTRIC WITHSTANDING VOLTAGE : 500 V AC MIN.  
INSULATION RESISTANCE : 1000 MEGAOHMS MIN.
- ENVIRONMENTAL  
OPERATING TEMPERATURE: -55°C ~ +85°C  
STORAGE TEMPERATURE:-55°C ~ +105°C



YL013-003-004	40 AMPS	Ø4.8	Ø5.5
YL013-003-003	30 AMPS	Ø3.4	Ø4.4
YL013-003-002	20 AMPS	Ø2.6	Ø3.6
YL013-003-001	10 AMPS	Ø1.75	Ø2.54
PART NO.	Current Rating	ØA	ØB
		Dimension	

THIS DRAWING IS A CONTROLLED DOCUMENT.		DWN A. WU 01Jan2016	东莞市宇亮电子有限公司 DONG GUAN YU LIANG ELECTRONICS CO.,LTD	
DIMENSIONS: mm		CHEK S. CHIEN 01Jan2016		
TOLERANCES UNLESS OTHERWISE SPECIFIED:		APVD Abel 01Jan2016	NAME DH 高电流3W3母头焊线式, 全金2U*黑胶, 铆合光孔	
 THIRD ANGLE PROJECTION		PRODUCT SPEC —	SIZE A4	DRAWING No. Y=YL013-003
0 PLC ± 0.50 1 PLC ± 0.30 2 PLC ± 0.20 3 PLC ± 0.15 4 PLC ± — ANGLES ± 3°		WEIGHT —	CUSTOMER DRAWING	
		SCALE 1 : 1	SHEET 1 of 1	